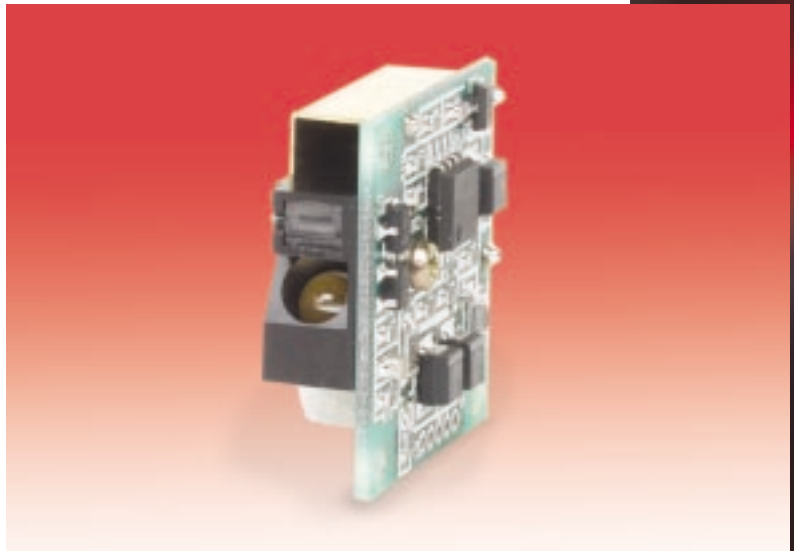


LB SAM12

FEATURES

- Designed for OEM applications
- Compact size
- Horizontal or vertical aperture
- 100% solid state design enhances performance and reliability



SLIT APERTURE MODULE

The Slit Aperture Module (LB SAM12) is a miniature bar code scanning device that is designed for OEM applications. It outputs a digitized waveform (TTL), and is ideal for applications such as lottery tickets, access control and security devices where miniature size and aggressive scanning are required.

The LB SAM12, available in either a horizontal or vertical aperture, is easy to integrate into a scanning system. Red or infrared LEDs are also available.

The LED can be switched on/off with an "LED" power circuit to reduce power consumption.

The LB SAM12 has a small footprint (23.5 x 22 x 10.5 mm) and three mounting holes.

Optional accessories available include a 12", 4-wire, unstripped cable assembly in which the analog wire is excluded.

Contact your Opticon sales representative for additional information on this and other Opticon scanning solutions.

"We can't afford to have our product out of service because of a scanner problem. That's why we stick with Opticon."

OUR PROMISE

At Opticon, our mission is to provide bar code scanning products that are easy to use, built-to-last, fit your exact requirements and are supported by an experienced, responsive team of professionals. We believe that accomplishing our mission is dependent upon operating with a set of important core values—Passion, People, Creativity and Teamwork. All our employees work to understand and apply these values in everything that they do.

LB SAM12

SLIT APERTURE MODULE

OPTICAL

Light Source	Visible LED, $\lambda = 660$ nm Infrared LED, $\lambda = 890$ nm
Resolution	6.0 mils (0.15 mm)
Scan Speed	150 to 2,000 mm/sec (6 to 79 in/sec)
Print Contrast	0.3 or greater
Non-contact Distance	8 mm \pm 1.5 mm (0.3 \pm 0.06 in)
Min. Bar Code Height	7 mm (0.3 in)

ELECTRICAL

Voltage	5 VDC \pm 10%
Current	20 mA max
Digital Output	TTL/open collector
Analog Output	White bar=low/Black bar=high White bar=high/Black bar=low

ENVIRONMENTAL

Temperature	
Operating	0 to +50° C (32 to +120° F)
Storage	-20 to +60° C (-4 to +140° F)
Humidity (non-condensing)	
Operating	10 to 80% RH

PHYSICAL

Dimensions (L x W x H)	23.5 x 22 x 10.5 mm (0.9 x 0.9 x 0.4 in)
Weight	20 g (1.5 oz) w/o cable
Connector	SZ15-05WS (Japan Automatic Machine Co)
Mating Connector	SZ15-05G (Japan Automatic Machine Co)

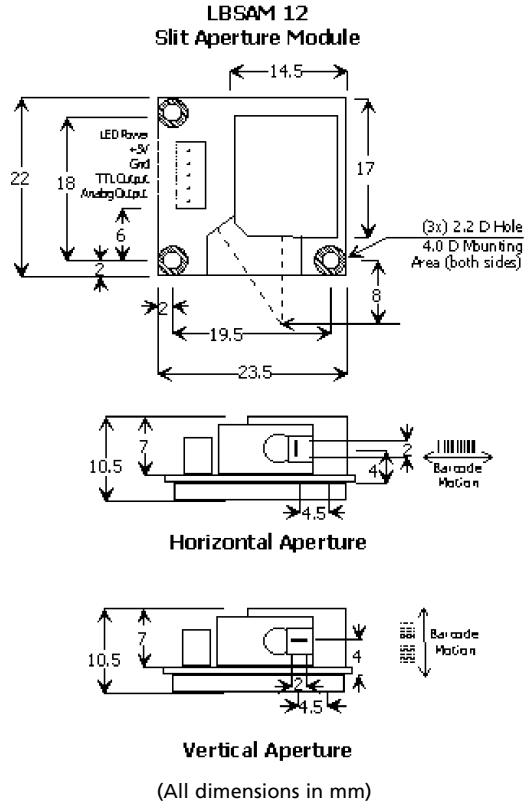
STANDARD PINOUTS

Pin	Function
1	Jumper to +5 VDC (standard configuration) or LED power (if requested)
2	+5 VDC
3	Ground
4	TTL Output
5	Analog Output

ACCESSORY

Part No.	Description
41-SAM12-12	4-wire, unstripped cable assembly, 12"

GENERAL MECHANICAL LAYOUT



ORDERING INFORMATION

Part No.	Aperture	LED Illumination
LBSAM12RH	Horizontal	Visible Red
LBSAM12RV	Vertical	Visible Red
LBSAM12IH	Horizontal	Infrared
LBSAM12IV	Vertical	Infrared

WARRANTY

The LB SAM12 is warranted for a period of five (5) years, including parts and workmanship. Visit our web site for details.

TECHNICAL SUPPORT / SALES

Opticon's experienced, well trained technical support team is available to answer questions and assist you in every way possible in support of our products. Call today to find out how the scanner can be adapted to your design: 800.636.0090, or visit our web site at www.opticonUSA.com.

25-DLBS0001-01 Rev A
Specifications subject to change without prior notice.



OPTICON, INC.
8 Olympic Drive Orangeburg, NY 10962
Toll Free 800.636.0090 Tel 845.365.0090 Fax 845.365.1251
www.opticonUSA.com

CUSTOM-BUILT. BUILT TO LAST.