

Integration Guide	
AUTO FOCUS 2D CMOS IMAGER	
Product Name	MDI-2000
Specification No.	UF****
Edition	Initial Release
Date of Publication	November **, 2009
Original Doc. No.	TS****

OPTOELECTRONICS Co., Ltd.
4-12-17 Tsukagoshi,
Warabi-shi, Saitama,
335-0002 Japan

TEL: 81+(0)48-446-1183
FAX: 81+(0)48-446-1184

Revision

History

Revision	Date	Section	Description of Changes
Initial Release	2009/11/**	-	(Initial Release)

Table of Contents

1. INTRODUCTION	1
2. INTEGRATION PARAMETERS.....	1
3. INSTALLATION	3
4. CABLE SPECIFICATIONS.....	4
5. HANDLING REQUIREMENTS	4
6. MECHANICAL DRAWINGS	6

1. Introduction

The MDI 2000 CMOS two-dimensional (2D) imager consists of the MSI 2000 camera module (referred to as the “camera module”) and the decoder board developed specifically for the MDI 2000 (referred to as the “decoder board”). This guide provides instructions for installing the camera module and the decoder board.

2. Integration Parameters

2-1. Exit Window Materials

For best optical quality, use an acrylic material (cast or extruded) for the exit window.

Select a high-quality achromatic acrylic material with a smooth, flat surface and no scratches or dents.

The acrylic material should be 1 mm thick and have an anti-reflective (AR) coating applied to both sides of the exit window.

You should also apply an anti-scratch coating to the surface of the exit window to protect it from scratches during operation.

Coated acrylic plates are readily available. Such a coating greatly enhances anti-scratch properties without degrading the optical characteristics of the acrylic material.

To protect the exit window from dust, stains, and scratches during assembly, a protective sheet was attached. This should be removed before operation.

After removing the protective sheet, use an ion-blower or other method to remove any dust that may have been attracted by static electricity.

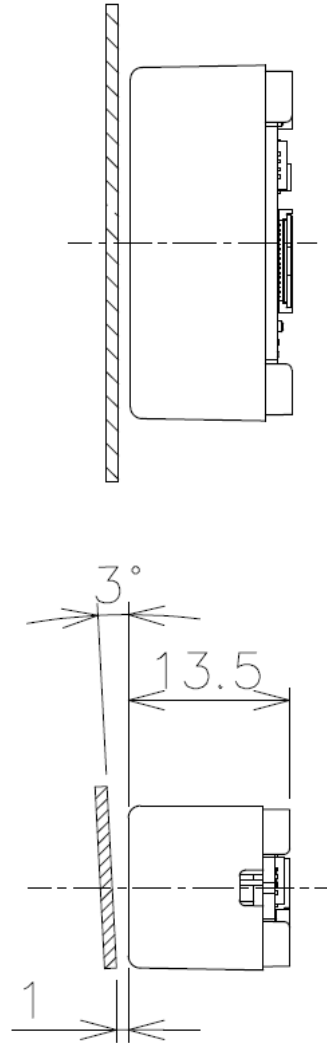
<Recommended acrylic material:>

Nitto Jushi Kogyo Co., Ltd. “Clarex—Precision Thin Sheet”

MITSUBISHI RAYON CO., LTD. “Acrylite”

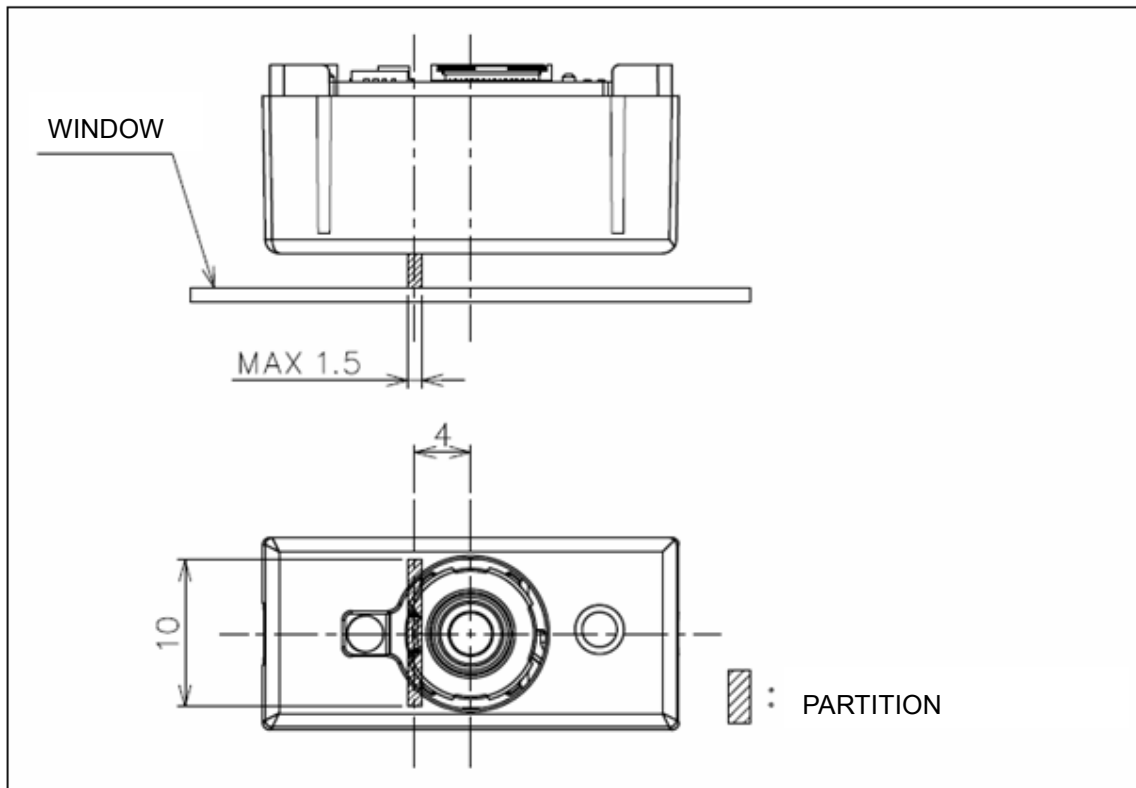
2-1. Exit Window Design

The exit window must be positioned to accommodate limitations of distance and inclination, as well as the range of the window itself. Design the layout within the range specified in the following diagram and associated table.



During the design phase, check for image eclipse caused by insufficient exit window size, improper angle settings of exit window, and make sure no LED illumination entering the central part in case the distance between the front of the camera module and the exit window is longer than 1mm. The check can be done by acquiring images from the camera module.

Install a partition between the LED and the lens to prevent the reflection as specified in the following diagram.



* Black is recommended for the partition.

3. Installation

When installing a camera module, only the bottom surface of the camera module should be attached to a chassis for installation.

Keep enough clearance to avoid damage to the camera module in case the host instrument is dropped and damaged.

The anti-shock capabilities of the camera module apply only when acceleration is applied via the bottom surface. In case of direct shock, the camera module will almost certainly be damaged, since it consists of precise optical elements.

Use the mounting hole with screw clamp to install the decoder board.

The size of the screw head must not exceed the diameter of the mounting land ($\phi 3.8$).

<Installation conditions—decoder board side>

Recommended screw: M2 (Do not use a countersunk screw)

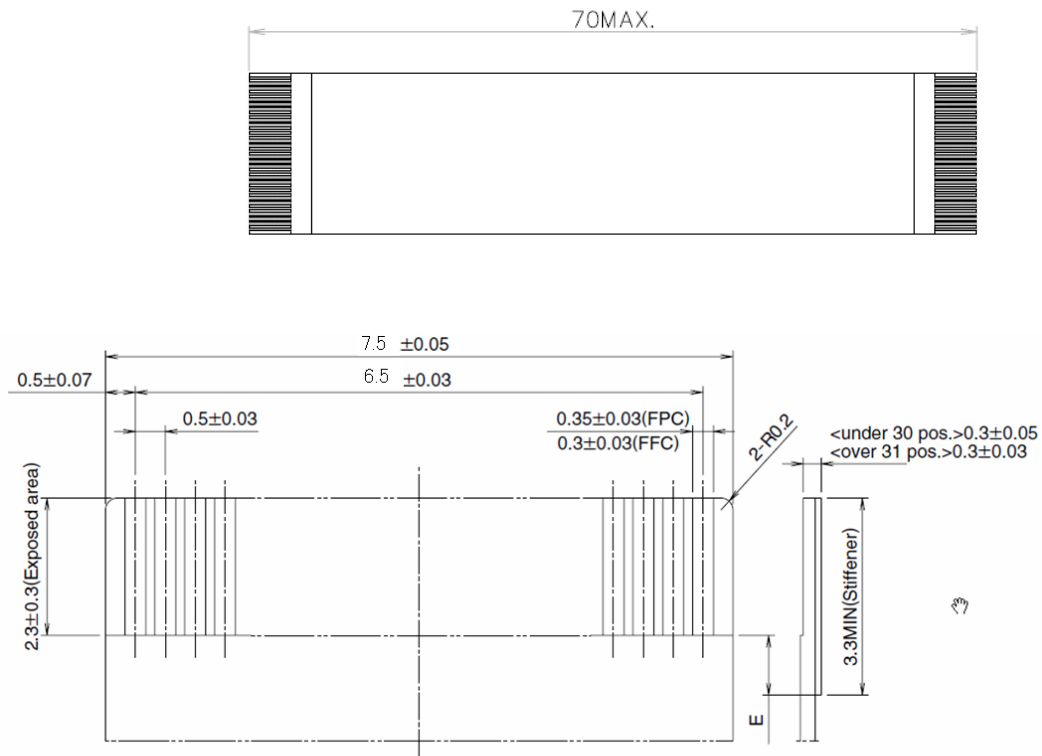
Tightening torque: 12N_{cm} or less

4. Cable Specifications

Connection between Decoder Board and Host

Recommended Connector: HIROSE FH33-14S-0.05SH(14Pin)

Recommended Cable Length: 70 mm (max.)



Note 1: Polyimide and a thermally hardened adhesive is recommended as the materials for the stiffener.

Note 2: If the stiffener is less than 3.3 mm, E dimension must be 0.5 mm min.

5. Handling Requirements

Use anti-static measures such as a grounding strap before handling the scan engine in order to avoid damage to the electronic components from electrostatic discharge.

Hold the scan engine only by the metal case. Do not touch the circuit board or the front side of the scan engine when handling it.

Do not touch the electronic elements or the terminals of the circuit board.

Installation in a clean environment is recommended in order to protect the imaging lens from dust.

Operators should wear a mask to avoid contaminating the optical elements.

Do not drop MDI 2000.

6. Mechanical Drawings

